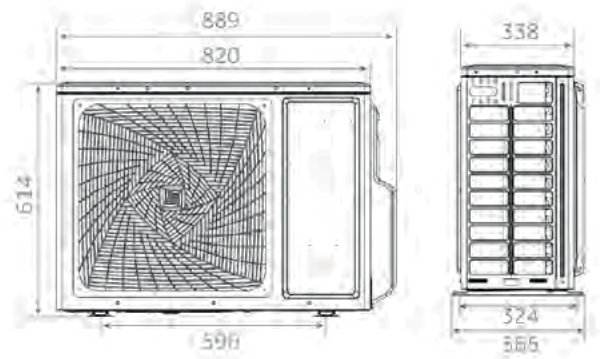




AS25S2SN1FA-NRC / AS35S2SN1FA-NRC



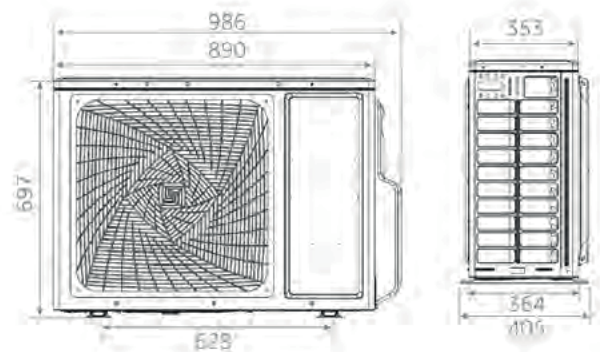
1U25S2SQ1FA-NR / 1U35S2SQ1FA-NR



AS50S2SN1FA-NRC



1U50S2SQ1FA-NR



2,5 kW

3,5 kW

5,0 kW