



MATT DESIGN: OPAQUE



AS25 - AS35 - AS42



AS50

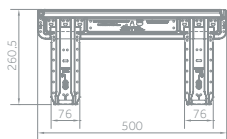


AS71

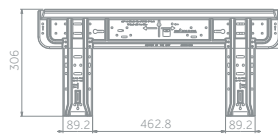


MOUNTING DIMENSIONS

AS25-AS35-AS42-AS50



AS71

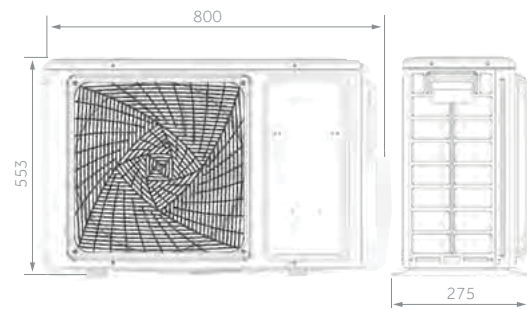


2.5 kW - 3.5 kW - 4.2 kW

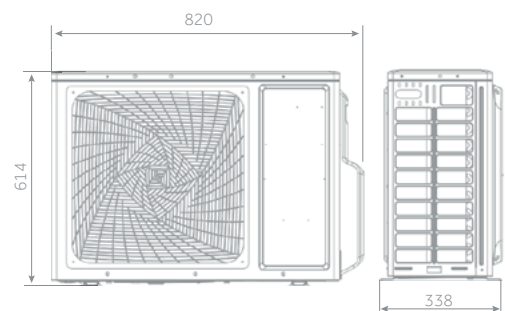
5.0 kW

7.1 kW

1U25 - 1U35 - 1U42



1U50



1U71

